



ENCLOSURE CONSTRUCTION	TOTALLY ENCLOSED FAN COOLED TYPE					
MOUNT METHOD	FOOT MOUNTED			FLANGE MOUNTED		
APPEARANCE						
POLE(S)	2	4	6	2	4	6
OUT PUT (kW)	0.4	■	■	■	■	■
	0.75	■	■		■	●
	1.5	●	●	●	●	●
	2.2	●	●	●	●	●
	3.7	●	●	●	●	●
	5.5	●	●	●	●	●
	7.5	●	●	●	●	●
	11	●	●	●	●	●
	15	●	●	●	●	●
18.5	●			●		

Frame material : ■ Steel Plate ● Aluminum Diecast

TYPE-FORM

T I K K

T: Three-phase

I: Induction-motor

k: Squirrel-cage rotor

k: Double squirrel-cage type

F C K L A W 21

F: Totally-enclosed fan-cooled type

B: Belt drive

C: Direct drive

K: Rolling bearing

L: Flange type

A: Aluminum diecast frame

K: Steel plate frame

W: Outdoor use

8: World Energy Series 8

21: World Energy Series 21

* Note: "T" is omitted for motors rated 15kW or less

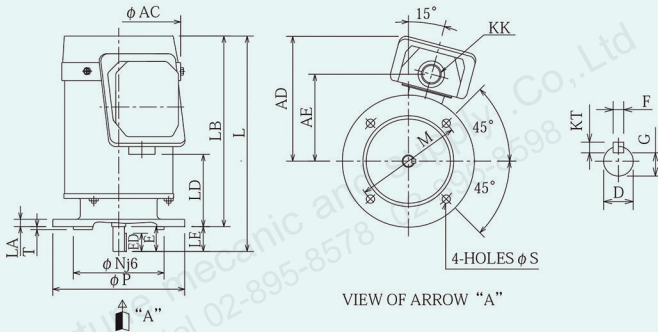


OUTLINE & DIMENSION

71M - 80M

TOSHIBA TOTALLY-ENCLOSED FAN -COOLED
VERTICAL FLANGE

Fr.71M-80M



FLANGE No.	FRAME	DIMENSIONS (mm)									
		AC	AE	AD	D	E	ED	F	G	KK	KT
FF130	71M	150	105	147	14	30	22	5	11	PF3/4	5
FF165	80M	170	129	159	19	40	32	6	15.5	PF3/4	6

FLANGE No.	FRAME	DIMENSIONS (mm)									
		L	LA	LB	LD	LE	M	N	P	S	T
FF130	71M	261	9	231	82	30	130	110	160	10	3.5
FF165	80M	273	10	233	64.5	40	165	130	200	12	3.5

FLANGE No.	FRAME	BEARINGS		WEIGHT* (kg)
		D.E	N.D.E	
FF130	71M	6203DDW	6203DDW	12
FF165	80M	6204DDW	6204DDW	16

* Weight : 4 poles motor.

ALL DATA SUBJECT TO CHANGE WITHOUT NOTICE.
FOR CONSTRUCTION USE ONLY CERTIFIED DATA.

NOTES :
TOLERANCE ON DIMENSIONS "D" AND "F" TO IEC 60072.

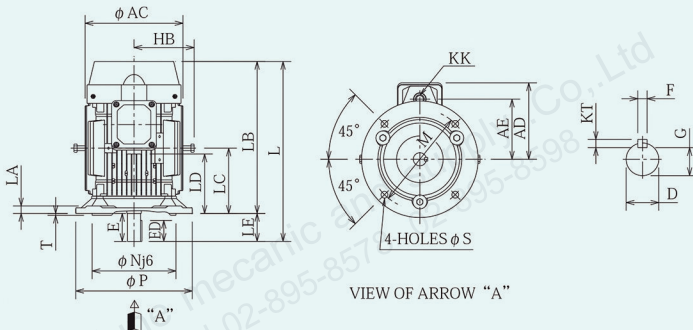


OUTLINE & DIMENSION

90L - 132M

TOSHIBA TOTALLY-ENCLOSED FAN -COOLED
VERTICAL FLANGE

Fr.90L-132M



FLANGE No.	FRAME	DIMENSIONS (mm)										
		AC	AE	AD	D	E	ED	F	G	HB	KK	KT
FF165	90L	198	117.5	153	24	50	40	8	20	-	PF3/4	7
FF215	100L	198	117.5	153	28	60	45	8	24	-	PF3/4	7
FF215	112M	214	129	164	28	60	45	8	24	129	PF3/4	7
FF265	132S	252	178.5	240	38	80	63	10	33	151	PF 1 1/2	8
FF265	132M	252	178.5	240	38	80	63	10	33	151	PF 1 1/2	8

FLANGE No.	FRAME	DIMENSIONS (mm)										
		L	LA	LB	LC	LD	LE	M	N	P	S	T
FF165	90L	325	10	275	-	95	50	165	130	200	12	3.5
FF215	100L	350.5	16	290.5	-	110.5	60	215	180	250	14.5	4
FF215	112M	386	16	326	140	127.5	60	215	180	250	14.5	4
FF265	132S	449.5	16	369.5	149	107	80	265	230	300	14.5	4
FF265	132M	487.5	16	407.5	178	145	80	265	230	300	14.5	4

FLANGE No.	FRAME	BEARINGS		WEIGHT* (kg)
		D.E	N.D.E	
FF165	90L	6205DDW	6304DDW	17.5
FF215	100L	6206DDW	6304DDW	23
FF215	112M	6207DDW	6305DDW	29
FF265	132S	6308DDW	6306DDW	45
FF265	132M	6308DDW	6306DDW	51

* Weight : 4 poles motor.

ALL DATA SUBJECT TO CHANGE WITHOUT NOTICE.
FOR CONSTRUCTION USE ONLY CERTIFIED DATA.

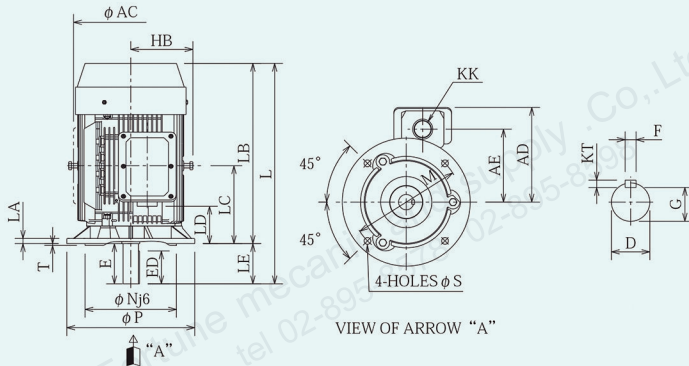
NOTES :
"F" TO IEC 60072.
TOLERANCE ON DIMENSIONS "D" AND



OUTLINE & DIMENSION 160M - 160L

TOSHIBA TOTALLY-ENCLOSED FAN - COOLED
VERTICAL FLANGE

Fr.160M-160L



FLANGE No.	FRAME	DIMENSIONS (mm)										
		AC	AE	AD	D	E	ED	F	G	HB	KK	KT
FF300	160M	313	199.5	259	42	110	90	12	37	170	PF1 1/2	8
FF300	160L	313	199.5	259	42	110	90	12	37	170	PF1 1/2	8

FLANGE No.	FRAME	DIMENSIONS (mm)										
		L	LA	LB	LC	LD	LE	M	N	P	S	T
FF300	160M	603	14	493	213	102	110	300	250	350	18.5	5
FF300	160L	625	14	515	235	124	110	300	250	350	18.5	5

FLANGE No.	FRAME	BEARINGS		WEIGHT* (kg)
		D.E	N.D.E	
FF300	160M	6310DDW	6208DDW	84
FF300	160L	6310DDW	6208DDW	99

*Weight : 4 poles motor.

ALL DATA SUBJECT TO CHANGE WITHOUT NOTICE.
FOR CONSTRUCTION USE ONLY CERTIFIED DATA.

NOTES :
TOLERANCE ON DIMENSIONS "D" AND
"F" TO IEC 60072.

CHARACTERISTICS & PERFORMANCE

CHARACTERISTICS AND PERFORMANCE OF 2POLES THREE PHASE MOTOR

2POLES

Rated Output kW	Frame Number	Hz	Volts	Full Load Current A	Full Load Speed min ⁻¹	No Load Current A	Locked Rotor Current % F/L	Locked Rotor Torque % F/L	Pull Up Torque % F/L	Break down Torque % F/L	Efficiency (%)			Power factor			Rotor Inertia J kg·m ²	Noise SPL dB(A)
											Full Load	75% Load	50% Load	Full Load	75% Load	50% Load		
0.37	71M	50	220	1.65	2800	0.83	550	220	210	220	71.0	72.0	68.0	87.0	79.0	66.0	0.00057	61
			380	0.95	2800	0.48	550	220	210	220	71.0	72.0	68.0	87.0	79.0	66.0		
			415	0.92	2830	0.57	600	260	250	260	72.0	71.0	66.0	82.5	71.0	58.0		
0.55	71M	50	220	2.20	2820	1.10	650	280	265	270	76.0	76.0	73.0	88.0	81.0	70.0	0.0007	61
			380	1.27	2820	0.64	650	280	265	270	76.0	76.0	73.0	88.0	81.0	70.0		
			415	1.27	2840	0.90	700	330	315	320	76.0	75.0	69.0	79.0	72.0	60.0		
0.75	80M	50	220	3.00	2840	1.30	600	200	190	240	75.0	76.0	75.0	88.0	82.0	72.0	0.00105	69
			380	1.73	2840	0.75	600	200	190	240	75.0	76.0	75.0	88.0	82.0	72.0		
			415	1.73	2860	0.94	650	238	226	286	75.0	74.5	71.0	82.0	75.0	62.0		
1.1	80M	50	220	4.40	2830	2.30	700	250	238	300	79.0	79.0	78.5	84.0	79.0	68.0	0.00152	63
			380	2.54	2830	1.33	700	250	238	300	79.0	79.0	78.5	84.0	79.0	68.0		
			415	2.54	2860	1.90	780	298	283	358	79.0	79.0	75.0	78.0	70.0	59.0		
1.5	90L	50	220	5.90	2800	2.34	600	185	180	215	78.0	79.0	78.0	89.0	84.0	75.0	0.00152	64
			380	3.40	2800	1.35	600	185	180	215	78.0	79.0	78.0	89.0	84.0	75.0		
			415	3.20	2830	1.80	700	220	215	255	79.0	79.0	77.0	84.5	76.0	63.0		
2.2	90L	50	220	8.20	2810	3.30	740	230	225	235	80.0	81.0	80.0	89.0	85.0	75.0	0.00208	64
			380	4.70	2810	1.90	740	230	225	235	80.0	81.0	80.0	89.0	85.0	75.0		
			415	4.60	2830	2.56	820	270	265	280	81.0	81.0	79.0	83.5	75.0	62.0		
3	112M	50	220	10.6	2830	3.50	820	295	265	280	82.0	81.0	80.0	91.0	87.0	79.0	0.00375	70
			380	6.10	2830	2.02	820	295	265	280	82.0	81.0	80.0	91.0	87.0	79.0		
			415	5.90	2860	2.70	940	350	315	330	83.0	80.5	78.0	86.0	79.0	68.0		
4	112M	50	220	14.2	2820	5.00	690	250	225	240	83.0	84.0	83.0	89.5	85.5	77.0	0.00375	70
			380	8.20	2820	2.90	690	250	225	240	83.0	84.0	83.0	89.5	85.5	77.0		
			415	8.00	2840	4.00	770	295	265	285	84.0	83.0	81.5	84.5	76.5	64.0		
5.5	132S	50	220	18.8	2890	6.34	830	235	225	295	85.0	84.0	81.5	90.5	86.0	78.5	0.00803	72
			380	10.9	2890	3.66	830	235	225	295	85.0	84.0	81.5	90.5	86.0	78.5		
			415	10.5	2920	4.50	940	280	265	350	85.5	84.5	81.5	85.5	83.0	75.0		
7.5	132S	50	220	24.8	2890	7.62	930	315	295	345	87.0	86.0	85.0	91.0	89.0	85.0	0.01050	72
			380	14.3	2890	4.40	930	315	295	345	87.0	86.0	85.0	91.0	89.0	85.0		
			415	13.8	2920	5.80	990	375	350	410	87.5	85.5	83.0	87.0	83.5	76.0		
11	160M	50	220	37.0	2880	9.86	680	225	195	255	87.0	86.0	84.0	90.5	89.5	84.5	0.02280	71
			380	21.4	2880	5.70	680	225	195	255	87.0	86.0	84.0	90.5	89.5	84.5		
			415	20.0	2900	7.62	800	265	230	300	87.5	86.0	83.5	87.0	83.0	75.0		
15	160M	50	220	49.0	2880	14.0	830	275	240	290	88.5	88.0	87.0	91.0	89.0	83.0	0.03000	71
			380	28.2	2880	8.10	830	275	240	290	88.5	88.0	87.0	91.0	89.0	83.0		
			415	27.0	2900	11.0	940	300	285	345	89.5	88.0	86.0	86.5	82.0	72.0		
18.5	160L	50	220	58.2	2900	15.5	920	320	270	310	91.0	90.0	88.0	91.5	88.0	76.0	0.03730	71
			380	33.6	2900	8.95	920	320	270	310	91.0	90.0	88.0	91.5	88.0	76.0		
			415	31.8	2920	11.5	1040	380	322	370	91.5	90.5	88.0	88.5	84.0	74.0		